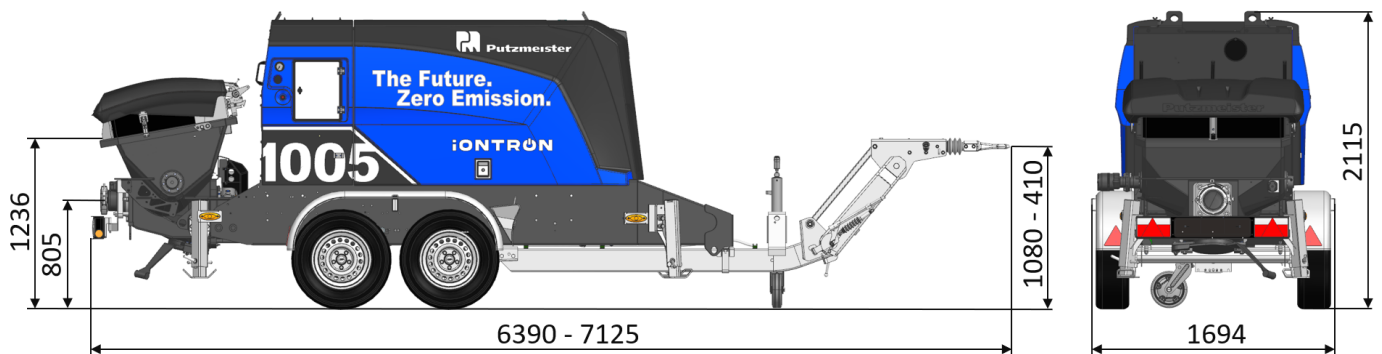


Stationary concrete pump BSA 1005 iONTRON (F 80)

Output up to 50 m³/h
 Delivery pressure up to 55 bar

iONTRON



Note: Pre-series. Dimensions and weights depend on equipment. Subject to technical modifications and errors.

Technical data

| Model | | BSA 1005 iONTRON |
|----------------------|-------------------|------------------|
| Material number | | 102999.000 |
| Output | m ³ /h | 47 |
| Delivery pressure | bar | 55 |
| Delivery cylinder | Ø mm | 180 |
| Delivery cyl. stroke | mm | 1000 |
| Strokes / minute | | 31 |
| Engine / motor power | kW | 40 |
| Hopper | | RS 488 |
| Capacity | l | approx. 350 |
| Filling height | m | 1.23 |
| Transfer tube | | S 1812 |
| Line connection | mm | SK 125 |
| Pressure connection | " | 5.5 |
| Control system | | Ergonic 3.0 |
| Weight | kg | 3500 |

Serial equipment

| | |
|--|---|
| Agitator safety switch off | Operating manuals and spare part list |
| Cable remote control 10 m | Output adjustment, electrical |
| Central lubrication on hopper with hand lever press | Outriggers 3 × mech. |
| Chassis F80 | Speed drawdown automatically on pump stop |
| Cleaning accessories | Splash guard |
| Coloring: Pump, frame, roof anthracite-grey Doors traffic blue | Standard equipment |
| Concrete hopper with agitator | Support wheel |
| Drawbar eye (DIN) | |
| Drive accu pack 78 kWh | |
| Electronic error management | |
| Ergonic Graphic Display | |
| Flushing water pump 50 l/min 20 bar | |
| Grill 60 mm | |

All data maximum theoretical

See quotation for exact serial delivery scope.
 Comprehensive range of options available on request.